

MURAFLEX

FLEXIBLE EXPANSION JOINT

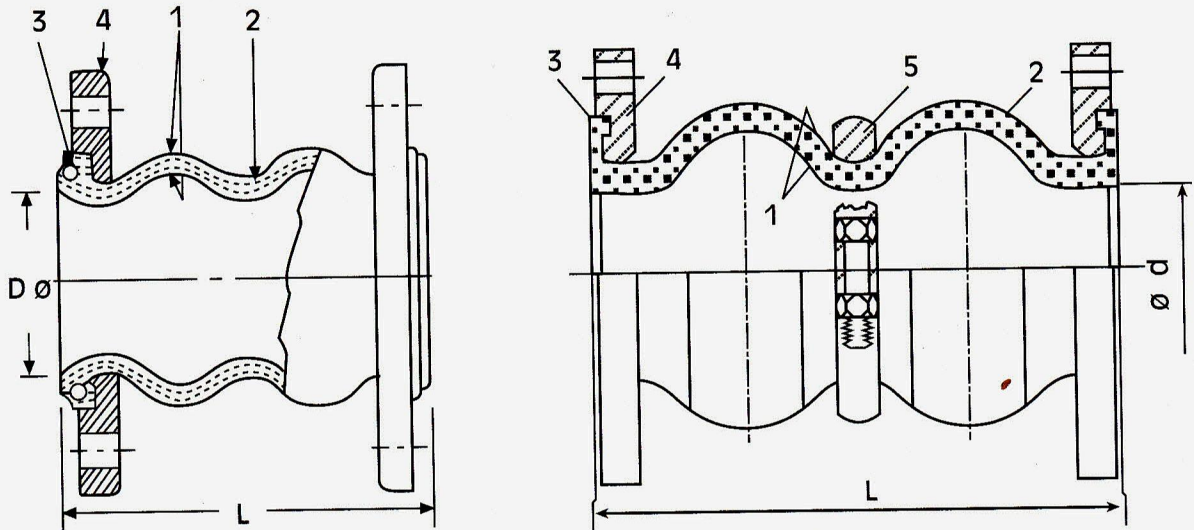


MURAFLEX

FLEXIBLE EXPANSION JOINT

DOUBLE-SPHERE CONNECTORS S-120

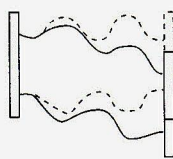
NOMENCLATURE



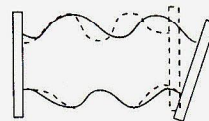
Item#	Part	Materials
1	Body	Neoprene
2	Reinforce	Nylon Cord Fabric
3	Wire	Hard Steel Wire
4	Flange	Mild steel, Galvanized, Various drilling available
5	Ring	Malleable Iron ($\leq \phi 6''$) Carbon Steel ($\geq \phi 8''$)

FEATURES

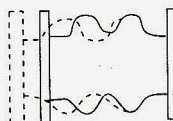
1. Double sphere connector allows greater compression, elongation and deflection.
2. Requires little force to cause movement.
3. Easy to install, use floating flanges.



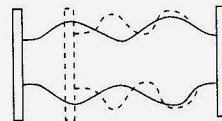
Transverse movement



Angular movement



Axial compression



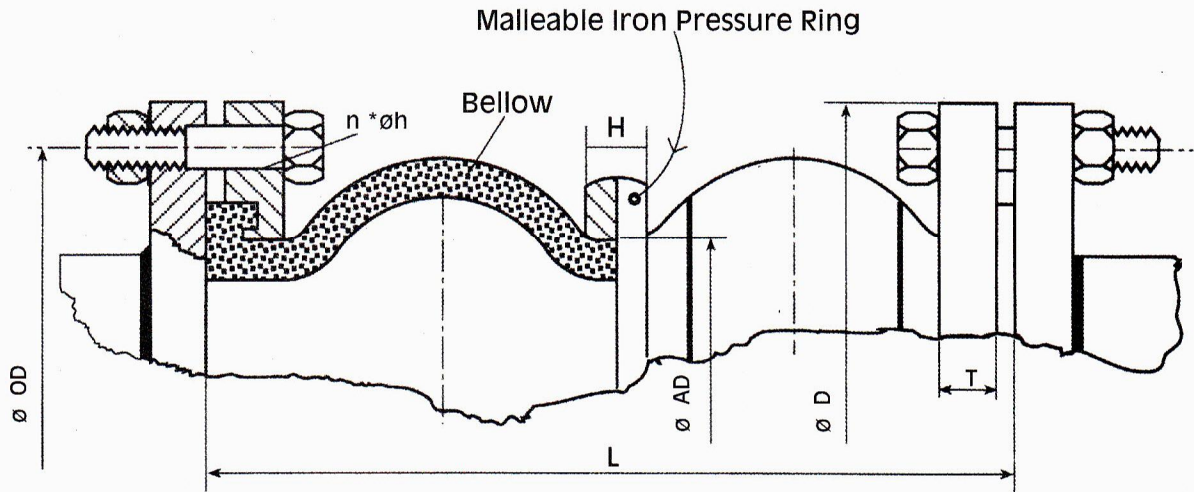
Axial elongation

MURAFLEX

FLEXIBLE EXPANSION JOINT

DOUBLE-SPHERE CONNECTORS S-120

DIMENSION & SPECIFICATION



Size	φA	H	φD	OD	T	L	n	φh	Allowable Movement (mm)				Vacuum (mm Hg)	Temp (°C)
									Axial Compression	Axial Elongation	Transverse Deflection	Angular Deflection		
1-1/4"	65	16	135	100	16	175	4	19	50	30	35	40	400	-30 ~ 110
1-1/2"	54	16	140	105	16	175	4	19	50	30	35	40	400	-30 ~ 110
2"	65	16	155	120	18	175	8	19	50	30	35	40	400	-30 ~ 110
2-1/2"	80	18	175	140	18	175	8	19	50	30	35	40	400	-30 ~ 110
3"	90	18	200	160	20	175	8	23	50	30	35	40	400	-30 ~ 110
4"	119	18	225	185	20	225	8	23	50	30	30	35	400	-30 ~ 110
5"	148	18	270	225	22	225	8	25	50	30	30	35	400	-30 ~ 110
6"	168	18	305	260	24	225	12	25	50	30	30	35	400	-30 ~ 110
8"	224	22	350	305	26	325	12	25	60	35	30	30	400	-30 ~ 110
10"	272	22	430	380	28	325	12	27	60	35	30	30	400	-30 ~ 110
12"	320	24	480	430	28	325	16	27	60	35	30	30	400	-30 ~ 110

Working pressure : 2.0 Mpa (20kg/cm²)
 Temperature : Max 105° C

Distributor: