

YUTA[®]
PLUMBING & SANITARY WARE PRODUCTS

High Performance

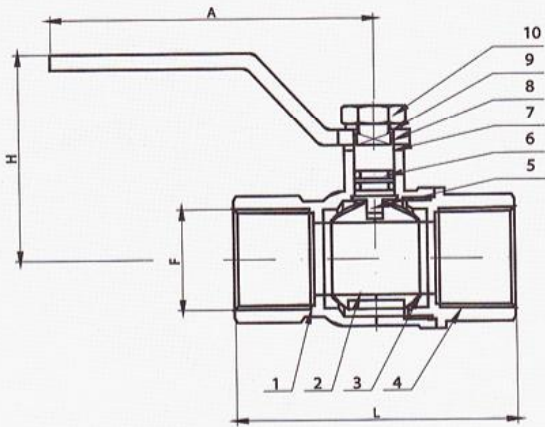
Brass/Bronze Valve



Ball Valve
1/2"-4"



• 400 psi., W.O.G. non shock
100 psi / 300°

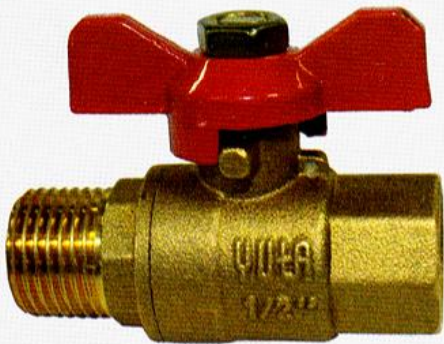


Size	A	F	H	L
1/2	102	ZG1/2	42	63
3/4	103.5	ZG3/4	54.5	70.5
1	114.5	ZG1	58.5	77.5
1 1/4	131	ZG1 1/4	64.5	94
1 1/2	149	ZG1 1/2	72.5	102
2	150	ZG2	82.5	118
2 1/2	220	ZG2 1/2	111	138
3	220	ZG3	124	157.5
4	280	ZG4	134	175

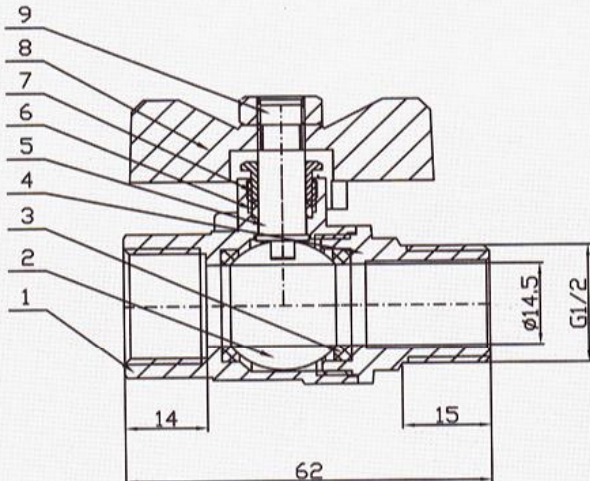
Main parts, materials & Remarks

No	Part Name	Material
1	Body	Brass
2	Ball	Brass
3	Seat Ring	PTFE
4	Bonnet	Brass
5	Stem	Brass
6	O-Ring	NBR
7	Packing	ABS
8	Handle	SS
9	Washer	SS
10	Nut	FE

Ball Valve
Male to
Female
1/2"



Working pressure : PN 16



Main parts, materials & Remarks

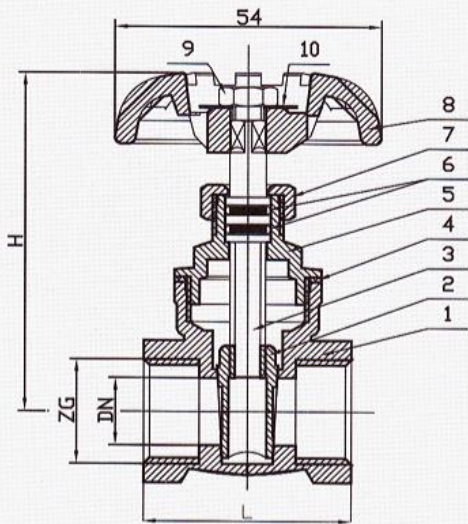
No	Part Name	Material
1	Body	Brass
2	Ball	Brass
3	Seat Ring	PTFE
4	Bonnet	Brass
5	Stem	Brass
6	Seal	PTFE
7	Press Nut	Brass
8	Handle	Aluminium
9	Nut	Fe

Gate Valve
1/2"-4"



- Class 125
- 200 psi., W.O.G. non shock
- 125 psi. S.P. SATURATED
- SHELL TEST 300 psi
- SEAT TEST 200 psi

Size	H	ZG	L	DN
1/2	75	ZG1/2	41	13.5
3/4	82	ZG3/4	45	19
1	92	ZG1	50	23.5
1 1/4	110	ZG1 1/4	58	27.5
1 1/2	121	ZG1 1/2	60	36
2	150	ZG2	72	46
2 1/2	174	ZG2 1/2	82	56
3	210	ZG3	92	66
4	240	ZG4	104	86



Main parts, materials & Remarks

No	Part Name	Material
1	Body	Brass
2	Gate	Brass
3	Stem	Brass
4	Seat	PTFE
5	CAP	Brass
6	Packing	PTFE
7	Gland Nut	Brass
8	Handle Wheel	Cast Iron
9	Nut	FE
10	Lable	Alumunium

Check Valve
1/2"-4"

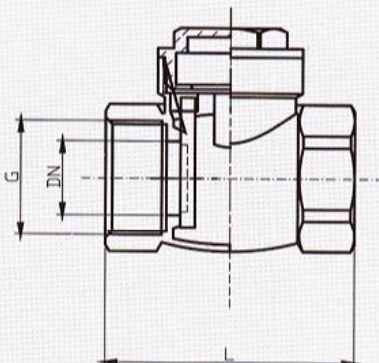


- Class 125
- 200 psi., W.O.G. non shock
- 125 psi.S.p SATURATED
- SHELL TEST 225 psi
- SEAT TEST 150 psi

Size	L	DN	G
1/2	53.5	15	ZG1/2
3/4	57.5	20	ZG3/4
1	65	27	ZG1
1 1/4	90	30	ZG1 1/4
1 1/2	98	37	ZG1 1/2
2	118	46	ZG2
2 1/2	147	58	ZG2 1/2
3	162	65	ZG3
4	195	100	ZG4

Main parts, materials & Remarks

No	Part Name	Material
1	Body	Brass
2	Plate	Brass
3	Cap	Brass

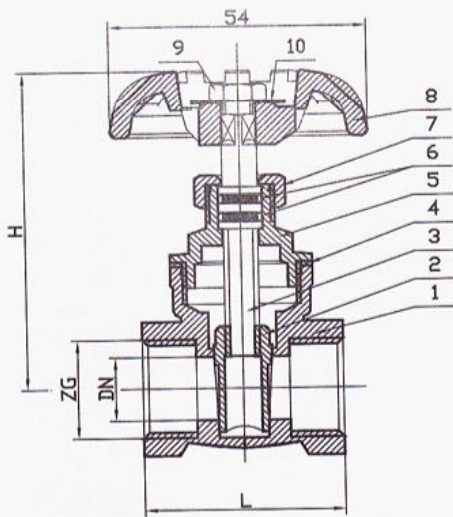


Globe Valve
1/2" - 3/4"



- Class 100
- 150 psi., W.O.G. non shock
- 100 psi.S.P. SATURATED
- SHELL TEST 225 psi
- SEAT TEST 150 psi

Size	H	ZG	L	DN
1/2	75	ZG1/2	41	13.5
3/4	82	ZG3/4	45	19



Main parts, materials & Remarks

No	Part Name	Material
1	Body	Brass
2	Gate	Brass
3	Stem	Brass
4	Seat	PTFE
5	CAP	Brass
6	Packing	PTFE
7	Gland Nut	Brass
8	Handle Wheel	Cast Iron
9	Nut	FE
10	Lable	Alumunium

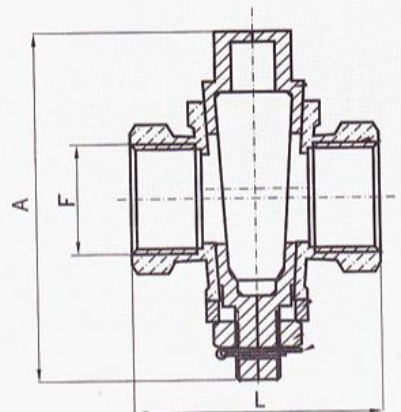
Plug Valve
1/2" - 3/4"

Working pressure: 10 kg/cm²
Test Pressure: 15kg/cm²



Main parts, materials

Part Name	Material
Core	Brass
Body	Brass
Washer	Brass
Nut	Brass
Latch	Brass

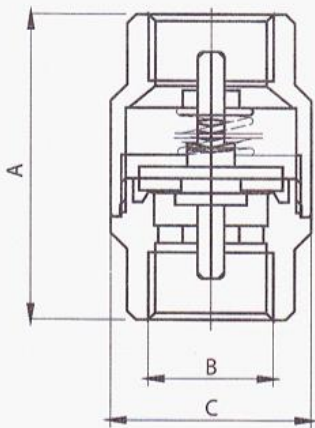


Size	A	F	L
1/2	66.5	ZG1/2	45.5

Tusen Klep
1/2" - 3/4"



Size	A	B	C
1/2	54	29.5	G1/2
3/4	57.5	34	G3/4
1	64.5	44	G1
1 1/4	69	55	G1 1/4
1 1/2	79	61	G1 1/2
2	90.5	77.5	G2
2 1/2	98	95	G2 1/2
3	107.5	110	G3
4	111	140.5	G4



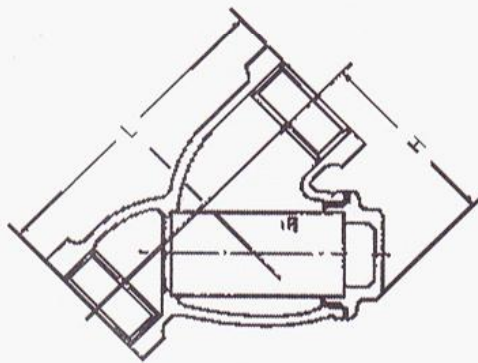
Main parts, materials & Remarks

No	Part Name	Material
1	Body	Brass
2	Cap	Brass
3	Rod	ABS
4	Disc Gasket	NBR
5	Spring	SS
6	Disc	ABS

Class 150
Bronze Y -
Pattern
Strainer



Y-Pattern body, Screwed cap, 304 stainless steel screen, Threaded ends



Part Name	Material
Body	Bronze
Body Cap	Brass
Gasket	Non-asbestos Sheet
Screen	Type 304 S.S.

300 psi W.O.G non-shock
150 psi S.P. Saturated

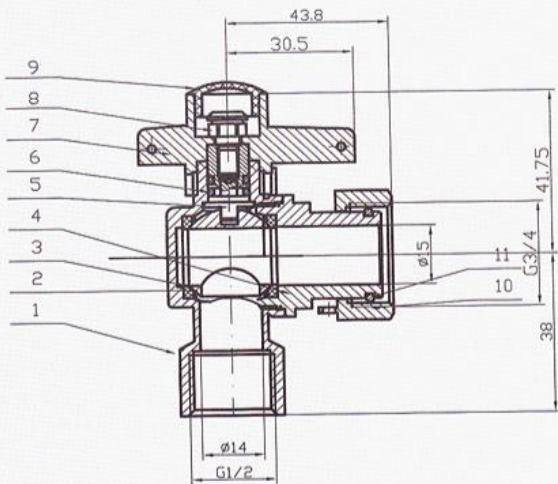
Screen is made stainless steel plate which has
1.4 (2° & smaller) or 1.5 (2 1/2° dan 3°) diameter
x25 pitches punched holes.

Hydrostatic Test pressure shell 450 psi

Dimensions

Valve Size	in	mm	3/8	1/2	3/4	1	1 1/4	1 1/2	2	2 1/2	3
L Threaded Ends			70	82	100	115	135	160	160	230	240

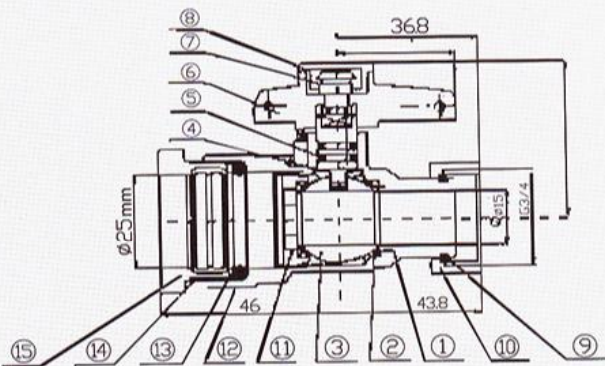
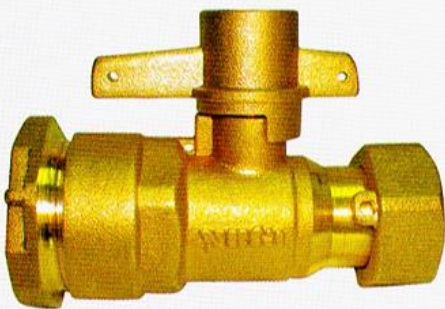
**Lockable
Angle Valve
1/2"x3/4"**



Main parts, materials & Remarks

No	Description	Material
1	Body	Brass
2	Ball	Brass
3	Seat Ring	PTFE
4	Bonnet	Brass
5	Stem	Brass
6	O-Ring 1	NBR
7	Handle	Brass
8	Screw	Brass
9	Handle Cover	ABS
10	Connection Nut	Brass
11	Black Ring	SS304

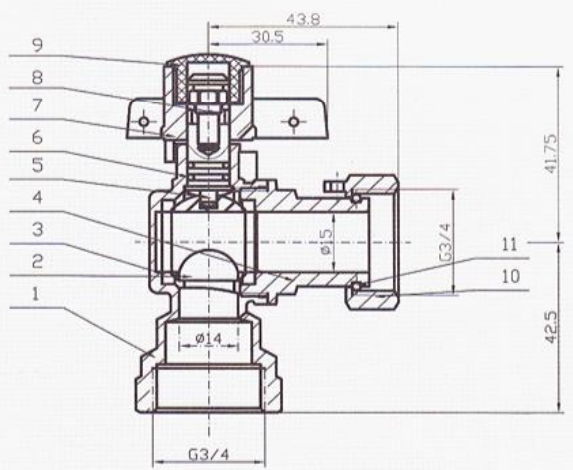
**Lockable
Straight Valve
25mm
x3/4"**



Main parts, materials & Remarks

No	Description	Material
1	Body	Brass
2	Seal Ring	PTFE
3	Ball	Brass
4	Stem	Brass
5	O-ring	NBR 70°
6	Handle	Brass
7	Screw	Brass
8	Cover	ABS
9	Press Ring	Brass
10	Ring	Brass
11	Black Ring	ANSI 304
12	O - Ring	NBR 80°
13	Gasket	Brass
14	Lock Ring	Brass
15	Locknut	Brass

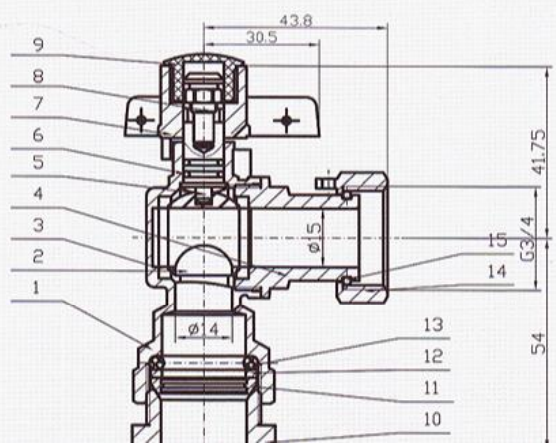
**Lockable
Angle
Valve
3/4"x3/4"**



Main parts, materials & Remarks

No	Description	Material
1	Body	Brass
2	Ball	Brass
3	Seat Ring	PTFE
4	Bonnet	Brass
5	Stem	Brass
6	o-Ring 1	NBR
7	Handle	Brass
8	Screw	Brass
9	Handle Cover	ABS
10	Conection Nut	Brass
11	Black Ring	SS304

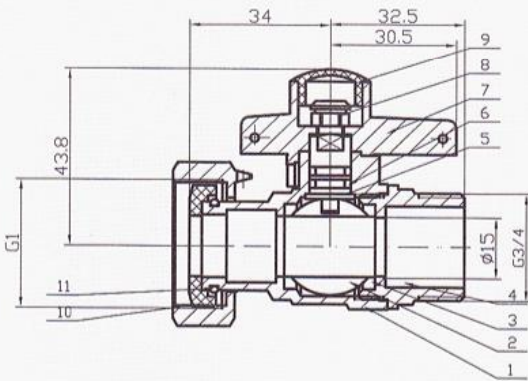
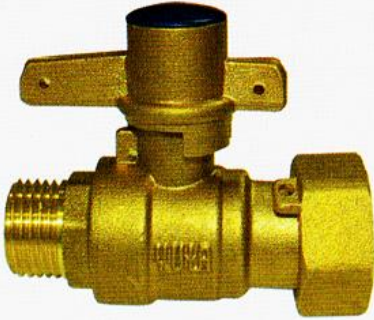
**Lockable
Angle
Valve
20mm
x3/4"**



Main parts, materials & Remarks

No	Description	Material
1	Body	Brass
2	Ball	Brass
3	Seat Ring	PTFE
4	Bonnet	Brass
5	Stem	Brass
6	o-Ring 1	NBR
7	Handle	Brass
8	Screw	Brass
9	Handle Cover	ABS
10	Locking Nut	Brass
11	Locking Ring	Brass
12	Gasket	Brass
13	O- Ring 2	NBR
14	Connection Nut	Brass
15	Black Ring	304

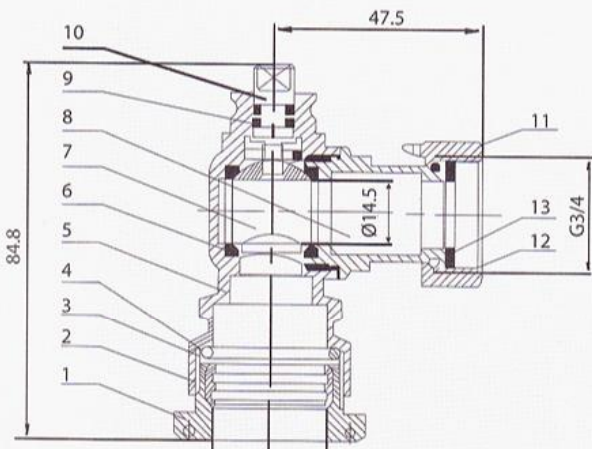
**Lockable
Straight
Valve
3/4"x1"**



Main parts, materials & Remarks

No	Description	Material
1	Body	Brass
2	Ball	Brass
3	Seat Ring	PTFE
4	Bonnet	Brass
5	Stem	Brass
6	O-Ring 1	NBR
7	Handle	Brass
8	Screw	Brass
9	Handle Cover	ABS
10	Conection Nut	Brass
11	Black Ring	SS304

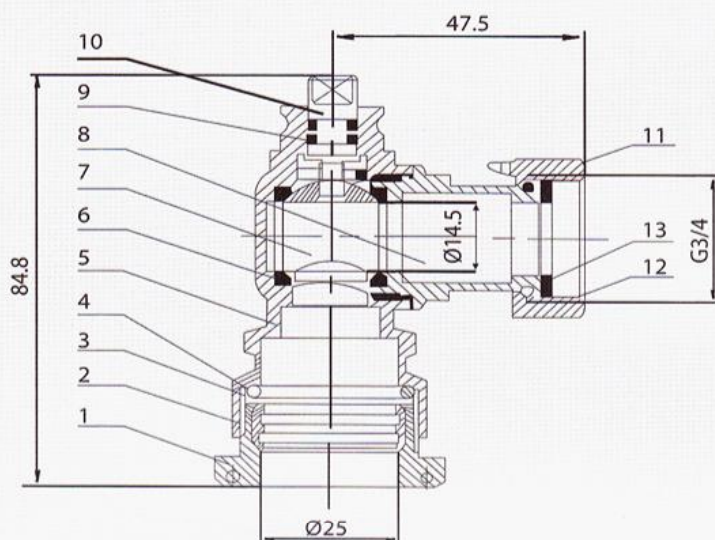
**Lockable
Magnetic
Angle
Valve
20mm
x3/4"**



Main parts, materials & Remarks

No	Part Name	Material
1	Nut	Brass
2	Compression Ring	Brass
3	Washer	Brass
4	O-ring	NBR
5	Body	Brass
6	Ball seat	PTFE
7	3 - way ball	Brass
8	Bonnet	Brass
9	O-ring	NBR
10	Stem	Brass
11	Snap ring	SS
12	Hexagonal nut	Brass
13	Rubber Washer	NBR

Lockable
Magnetic
Angle
Valve
25mm
x3/4"



Main parts, materials & Remarks

No	Part Name	Material
1	Nut	Brass
2	Compression Ring	Brass
3	Washer	Brass
4	O-ring	NBR
5	Body	Brass
6	Ball seat	PTFE
7	3 - way ball	Brass
8	Bonnet	Brass
9	O-ring	NBR
10	Stem	Brass
11	Snap ring	SS
12	Hexagonal nut	Brass
13	Rubber Washer	NBR

YUTA[®]

PLUMBING & SANITARY WARE PRODUCTS

Distributor :

SMA-YUTA(BRASS/BRONZE VALVE)-15-02